

UNI-FLO QW SLURRY KNIFE GATE VALVE



WAFER SLURRY KNIFE GATE VALVE WITH REPLACEABLE ELASTOMER SLEEVES

Size range: DN50 – DN600
Pressure rating: DN50-DN100 16bar
DN150-DN200 10bar
DN250-DN400 7bar
DN450-DN500 5 bar

Flange connection: Wafer / semi lugged
Body material: Ductile iron (CF8 & CF8M available on request)

Gate material: 304 (316 & 2205 available on request)

Body seals: NR

Yoke material: FBE coated mild steel (304 & 316 available on request)

Flanges: DIN PN10 (other drillings available on request)

FEATURES

- Two replaceable elastomer sleeves that forms the bore of the valve
- Bi-directional sealing
- Full bore unrestricted flow
- No groove or cavity in the bore of the valve where slurry can collect
- The spindle is protected against slurry splatter and spills utilising a spindle cover above the handwheel and bellows below the handwheel

SPECIFICATION

The valve will consist of a semi-lugged wafer type, single-piece body. The bore of the valve must be formed by two elastomer sleeves on either side of the gate. Upon closing, the gate will separate the two sleeves and once the valve is fully closed the gate and the two sleeves will form a tight seal in the direction of flow and the reverse direction. The valve must seal at maximum operating pressure in the direction of flow and the reverse direction. The valve design must allow for full bore unrestricted flow. The seat area must be free of grooves or cavities where sediment can collect.



Open

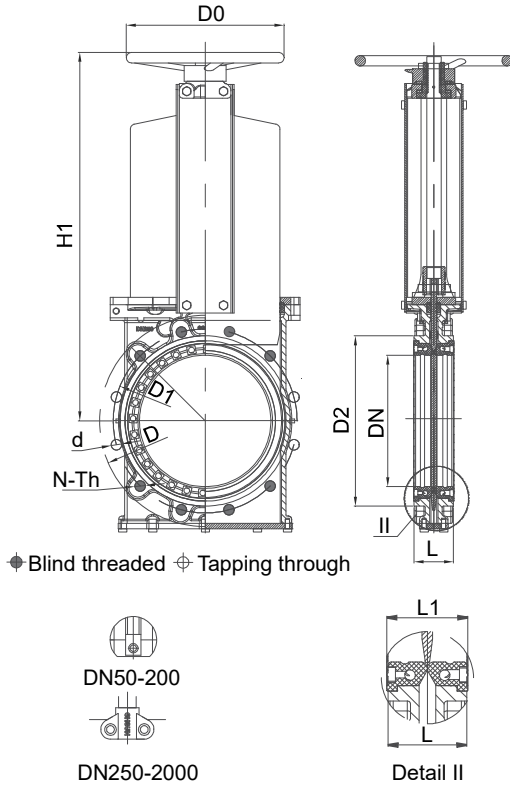
Closed



SANS PAR

CAPE TOWN
Tel: 021-5110283 - Email: info@sanspar.co.za
JOHANNESBURG
Tel: 011-3976889 - Email: jhb@sanspar.co.za
DURBAN
Tel: 031-7002485 - Email: kzn@sanspar.co.za

UNI-FLO QW SLURRY KNIFE GATE VALVE



DIMENSIONS

DN	L	D	D1	D2	D0	N-Th	d	H1
50	53	165	125	99	180	4-M16	Ø18	260
80	57	200	160	132	200	8-M16	Ø18	320
100	57	220	180	156	240	8-M16	Ø18	358
150	62	285	240	211	280	8-M20	Ø23	450
200	76	340	295	266	300	8-M20	Ø23	532
250	76	395	350	319	320	12-M20	Ø23	670
300	84	445	400	370	350	12-M20	Ø23	758
350	84	505	460	429	400	16-M20	Ø23	857
400	99	565	515	480	450	16-M24	Ø27	946
450	99	615	565	530	500	20-M24	Ø27	1023
500	129	670	620	582	500	20-M24	Ø27	Gear
550	129	725	680	638	-	20-M27	Ø30	Gear
600	129	780	725	682	-	20-M27	Ø30	Gear

PARTS LIST

	DESCRIPTION	MATERIAL
1	Stem Cover	Mild steel
2	Hand wheel	Ductile Iron
3	Yoke bracket	Ductile Iron
4	Bearing	GCr15
5	Nut	Brass
6	Yoke Plats	FBE coated mild steel
7	Body	Ductile Iron
8	Seat	Natural Rubber
9	Stem	SS420
10	Bolt & Nut	Fe+Zn/SS304
11	Top Plate	WCB
12	Packing	Rubber
13	Packing	Rubber
14	Bottom Plate	WCB

