



**SANS PAR**

**CAPE TOWN**  
Tel: 021-5110283 - Email: info@sanspar.co.za  
**JOHANNESBURG**  
Tel: 011-3976889 - Email: jhb@sanspar.co.za  
**DURBAN**  
Tel: 031-7002485 - Email: kzn@sanspar.co.za

# UNI-FLO QB KNIFE GATE VALVE



## UNI-DIRECTIONAL KNIFE GATE VALVE

**Size Range:** DN50 - DN600  
**Pressure Rating:** DN50 - DN100 16bar  
DN125 - DN200 14bar  
DN250 - DN300 12bar  
Dn350 - DN400 10bar  
Dn450 - DN500 8bar  
DN600 5bar

**Flange Connection:** Wafer Type

**Body Material:** GGG40

**Gate Material:** SS304

**Body Seal & Seat**

**Seal:** EPDM

**Flanges:** PN10/16. Others on request

## FEATURES

- Uni-directional sealing
- One piece wafer body
- Full bore unrestricted flow
- Replaceable EPDM seal, locked in with a metal seat ring
- Protected Rising Spindle

## APPLICATIONS

- Pulp and paper
- Sewage
- Chemical treatment
- Water Treatment
- Brewing

## SPECIFICATION

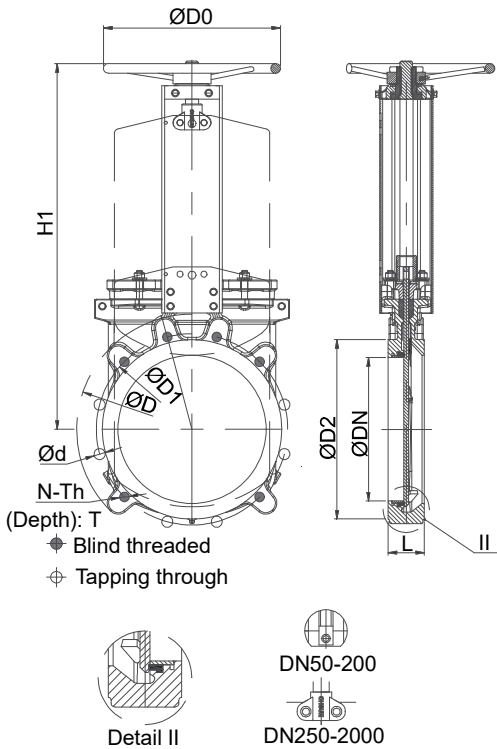
The valve will consist of a wafer type, one piece body. The valve must seal at maximum operating pressure in the direction of flow. The valve must have a replaceable rubber seal set in a seat groove and locked by a metal seat ring, preventing movement during opening and closing of the gate. The valve must seal to atmosphere at all times. The valve design must allow for full bore unrestricted flow. All manually operated valves shall be fitted with a spindle cover. The valve should be designed in order to accept a pneumatic actuator.



**SANS PAR**

**CAPE TOWN**  
Tel: 021-5110283 - Email: info@sanspar.co.za  
**JOHANNESBURG**  
Tel: 011-3976889 - Email: jhb@sanspar.co.za  
**DURBAN**  
Tel: 031-7002485 - Email: kzn@sanspar.co.za

# UNI-FLO QB KNIFE GATE VALVE



## DIMENSIONS

DN	L	D	D1	D2	D0	N-Th	d	H1
50	48	165	125	99	180	4-M16	Ø18	260
65	48	185	145	118	200	4-M16	Ø18	292
80	51	200	160	132	200	8-M16	Ø18	320
100	51	220	180	156	240	8-M16	Ø18	358
125	57	250	210	184	260	8-M16	Ø18	395
150	57	285	240	211	280	8-M20	Ø23	450
175	57	305	265	237	280	12-M20	Ø23	504
200	70	340	295	266	300	8-M20	Ø23	532
250	70	395	350	319	320	12-M20	Ø23	670
300	76	445	400	370	350	12-M20	Ø23	758
350	76	505	460	429	400	16-M20	Ø23	857
400	89	565	515	480	450	16-M24	Ø27	946

## PARTS LIST

	DESCRIPTION	MATERIAL
1	Hand wheel	Steel
2	Handle Bracket	Ductile Iron
3	Bearing	GCr15
4	Stem Nut	Brass
5	Stem	SS304
6	Gate	SS304
7	Yoke	Steel
8	Seat	EPDM
9	Seat Cover	SS304
10	Yoke Head	Ductile Iron
11	Packing Gland	WCB
12	Packing	PTFE
13	Bolt	Fe+Zn
14	Body	Ductile Iron

